



ThermoGlo™

Model AP8 Series Dump Station Heater

Item No: _____

AIA FILE NO. / SPEC NO.

CONSULTANT/ CONTRACTOR APPROVAL



Model AP8

The Marshall **Model AP8** Series Dump Station Heater features our ThermoGlo™ heating technology. Heat radiates from every square inch of the upper flat plate heating surface. This eliminates the need to clean intricate calrod, wire and reflector assemblies.

This unit is designed to mount on virtually any fryer manufacturer's dump station, including gas (AP8) or electric (AP8B) profiles. French fries, onion rings and hush puppies and more are ideal food products for this technology.

All Marshall products are supported by a nationwide service organization and in-house, full-time Customer Support Department. To place an order call:

1-800-627-8368

Marshall's AP8 & AP8B, Dump Station Heater incorporates ThermoGlo™ technology designed to solve demanding warming and holding temperature requirements.

FEATURES

- Delivers a wide range of temperature capabilities to fill exact warming and holding requirements
- Flat surface allows for easy wipe-clean maintenance
- Food stays "presentation ready" longer because exact internal temperatures can be reached faster and maintained longer

CONSTRUCTION

- Heavy gauge stainless steel
- Designed and built to custom specifications with heat radiating from the ThermoGlo™ surface
- Designed with a flat unbreakable radiating metal face encased in stainless steel housing

**ETL (US & Canada) & NSF Listed
FOR COMMERCIAL USE ONLY**

**Ask about Marshall's companion High Speed Toasters, Conveyor Broilers and Ventilation Systems.*

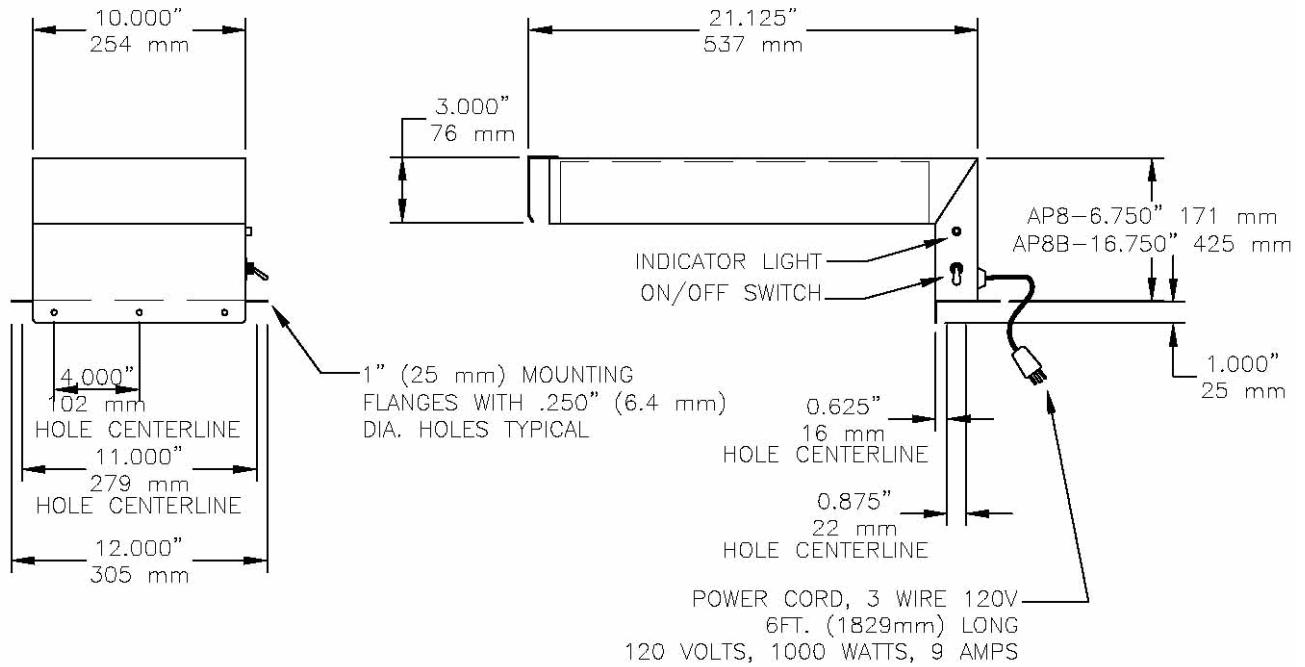
Marshall Air Systems, Inc.

419 Peachtree Drive South • Charlotte, North Carolina 28217 USA • Phone: (704) 525-6230 Fax: (704) 525-6229 • www.marshallair.com



ThermoGlo™

Models AP8 & AP8B Dump Station Heater



Overall Dimensions Models AP8 & AP8B

Dimensions:	Height:	Width:	Depth:
AP8	7.75" (197 mm)	12" (305 mm)	22.125" (562 mm)
AP8B	17.75" (451 mm)	12" (305 mm)	22.125" (562 mm)

Shipping Information:	Weight:	Ship Wt:	NMFC Freight (USA):	Ship. Cubes:
AP8	13 lbs. (6 kilos)	15 lbs (7 kilos)	Class 100	5 cubic ft. (.14 cubic meters)
AP8B	18 lbs. (8 kilos)	22 lbs. (10 kilos)	Class 100	5 cubic ft. (.14 cubic meters)

Electrical Wiring:	110/120V, 50/60Hz, 1Ph-9Amps NEMA 5-15 Plug 6 ft. cord
--------------------	--

Gas Supply: None

Options : None

Marshall Air Systems, Inc.

419 Peachtree Drive South • Charlotte, North Carolina 28217 USA • Phone: (704) 525-6230 Fax: (704) 525-6229 • www.marshallair.com