



# ThermoGlo™

## Models CZ3 & CZ3A

## Multi-Product Holding Unit

Item No: \_\_\_\_\_

AIA FILE NO. / SPEC NO.

CONSULTANT / CONTRACTOR APPROVAL



Model CZ3

The Marshall **Models CZ3 and CZ3A** Multi-Product Holding Units feature our ThermoGlo™ heating technology. Heat radiates from every square inch of the upper and lower flat plate surfaces. The **Model CZ3** provides uniform holding temperature and improved moisture retention in the food while being able to hold food longer. The ThermoGlo™ heating system replaces heat lamps and lamp sockets with a robust, unbreakable design that protects the wiring compartment and is very easy to keep clean. The **Model CZ3** is designed to fit into a counter cutout. **Model CZ3A** unit is supplied with a stand.

The top section is mounted on a swivel and is easily moved to provide easy access to a full size or (2) half-size 4" deep steam table pans when dumping food. The top section then self centers over the food with a light touch of the handle.

All Marshall products are supported by a nationwide service organization and in-house, full-time Customer Support Department. To place an order call:

**1-800-627-8368**

**Marshall's Multi-Product Holding Unit features ThermoGlo™ technology designed to solve demanding food warming and holding requirements.**

### FEATURES

- Upper and lower heat provides consistent product temperatures
- Flat surface allows for easy wipe-clean maintenance
- Top portion swivels to allow for easier dumping of product
- Food stays "presentation ready" longer
- Unit is designed to fit into countertop opening (CZ3) or custom designed cart (CZ3A)

### CONSTRUCTION

- Heavy gauge stainless steel
- Designed and built to custom specifications with heat radiating from the ThermoGlo™ surfaces
- Designed with a flat unbreakable heat radiating metal face encased in stainless steel housing

**ETL (US & Canada) & NSF Listed  
FOR COMMERCIAL USE ONLY**

*\*Ask about Marshall's companion High Speed Toasters, Conveyor Broilers and Ventilation Systems.*

---

**Marshall Air Systems, Inc.**

419 Peachtree Drive South • Charlotte, North Carolina 28217 USA • Phone: (704) 525-6230 Fax: (704) 525-6229 • [www.marshallair.com](http://www.marshallair.com)

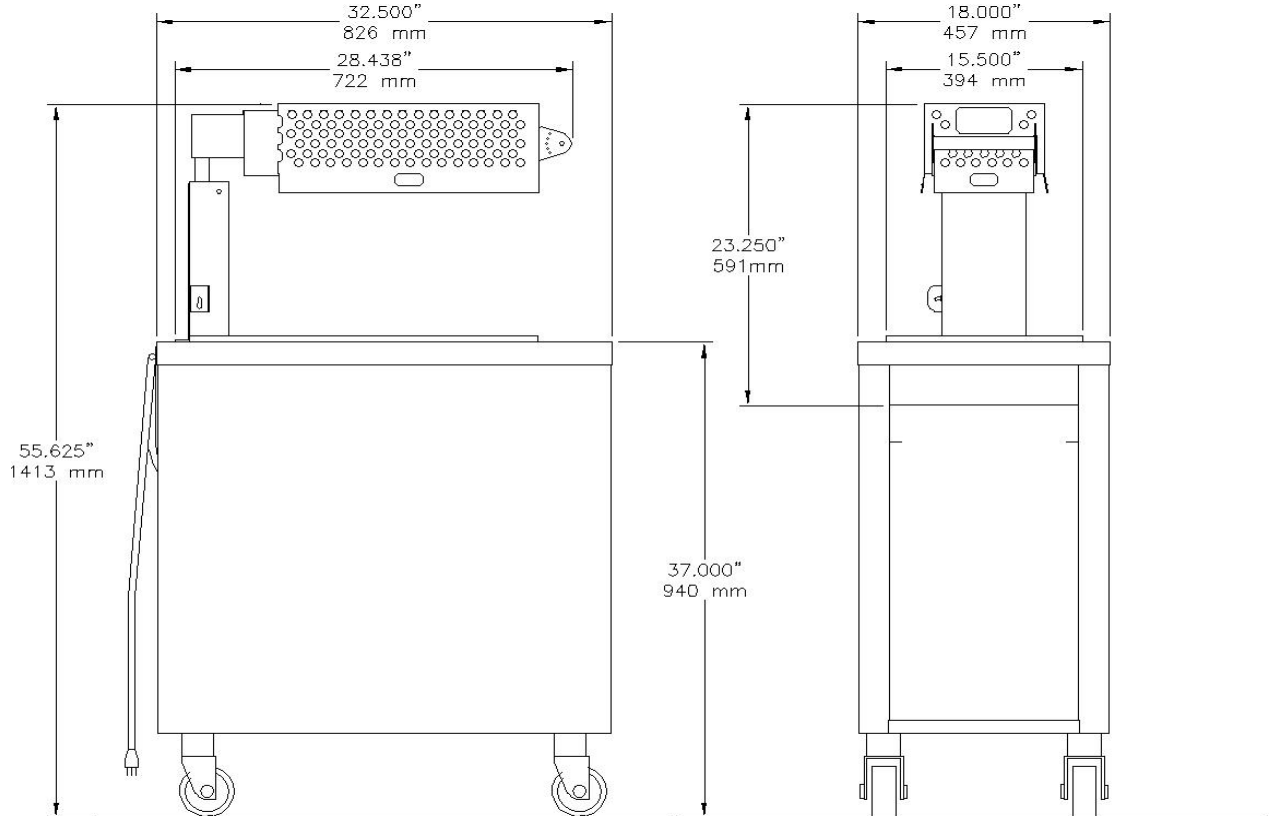
Printed in U.S.A. © Marshall Air Systems, Inc. 2007 All rights reserved.  
Marshall's commitment to quality and product improvement may change specifications from time to time.

Rev060710



# ThermoGlo™

## Models CZ3 & CZ3A Multi-Product Holding Unit



### Overall Dimensions Models CZ3 & CZ3A

CZ3A Unit Shown

|                       |  |                    |                             |                                  |
|-----------------------|--|--------------------|-----------------------------|----------------------------------|
| Dimensions:           | Height:  | Width:             | Depth:                      |                                  |
|                       | CZ3  | 23.250" (591mm)    | 15.500" (394mm)             | 28.438" (722mm)                  |
|                       | CZ3A   | 55.625" (1413mm)   | 18.000" (457mm)             | 32.500" (826mm)                  |
| Shipping Information: | Weight:  | Ship W:            | NMFC 6220<br>Freight (USA): | Ship. Cubes:                     |
|                       | CZ3  | 58 lbs (26 kilos)  | Class 85                    | 6.5 cubic ft (19 cubic meters)   |
|                       | CZ3A   | 135 lbs (61 kilos) | Class 85                    | 34.5 cubic ft (1.1 cubic meters) |
| Electrical Wiring:    | 120V/60Hz/1ph 9.1 amps/ 1.092 kw<br>NEMA 5-15 Plug<br>6 ft. cord |                    |                             |                                  |
| Gas Supply:           | None   |                    |                             |                                  |
| Options:              | Stand with Casters (CZ3A)  |                    |                             |                                  |

### Marshall Air Systems, Inc.

419 Peachtree Drive South • Charlotte, North Carolina 28217 USA • Phone: (704) 525-6230 Fax: (704) 525-6229 • [www.marshallair.com](http://www.marshallair.com)