



ThermoGlo™

Models CZ3 & CZ3A

Multi-Product Holding Unit

Item No: _____

AIA FILE NO. / SPEC NO.

CONSULTANT/ CONTRACTOR APPROVAL



Model CZ3

The Marshall **Models CZ3 and CZ3A** Multi-Product Holding Units feature our ThermoGlo™ heating technology. Heat radiates from every square inch of the upper and lower flat plate surfaces. The **Model CZ3** provides uniform holding temperature and improved moisture retention in the food while being able to hold food longer. The ThermoGlo™ heating system replaces heat lamps and lamp sockets with a robust, unbreakable design that protects the wiring compartment and is very easy to keep clean. The **Model CZ3** is designed to fit into a counter cutout. **Model CZ3A** unit is supplied with a stand.

The top section is mounted on a swivel and is easily moved to provide easy access to a full size or (2) half-size 4" deep steam table pans when dumping food. The top section then self centers over the food with a light touch of the handle.

Marshall's Multi-Product Holding Unit features ThermoGlo™ technology designed to solve demanding food warming and holding requirements.

FEATURES

- Upper and lower heat provides consistent product temperatures
- Flat surface allows for easy wipe-clean maintenance
- Top portion swivels to allow for easier dumping of product
- Food stays "presentation ready" longer
- Unit is designed to fit into countertop opening (CZ3) or custom designed cart (CZ3A)

CONSTRUCTION

- Heavy gauge stainless steel
- Designed and built to custom specifications with heat radiating from the ThermoGlo™ surfaces
- Designed with a flat unbreakable heat radiating metal face encased in stainless steel housing

**ETL (US & Canada) & NSF Listed
FOR COMMERCIAL USE ONLY**

All Marshall products are supported by a nationwide service organization and in-house, full-time Customer Support Department. To place an order call:

1-800-627-8368

Ask about Marshall's companion High Speed Toasters, Conveyor Broilers and Ventilation Systems.

Marshall Air Systems, Inc.

419 Peachtree Drive South • Charlotte, North Carolina 28217 USA • Phone: (704) 525-6230 Fax: (704) 525-6229 • www.marshallair.com

Printed in U.S.A. © Marshall Air Systems, Inc. 2011 All rights reserved.

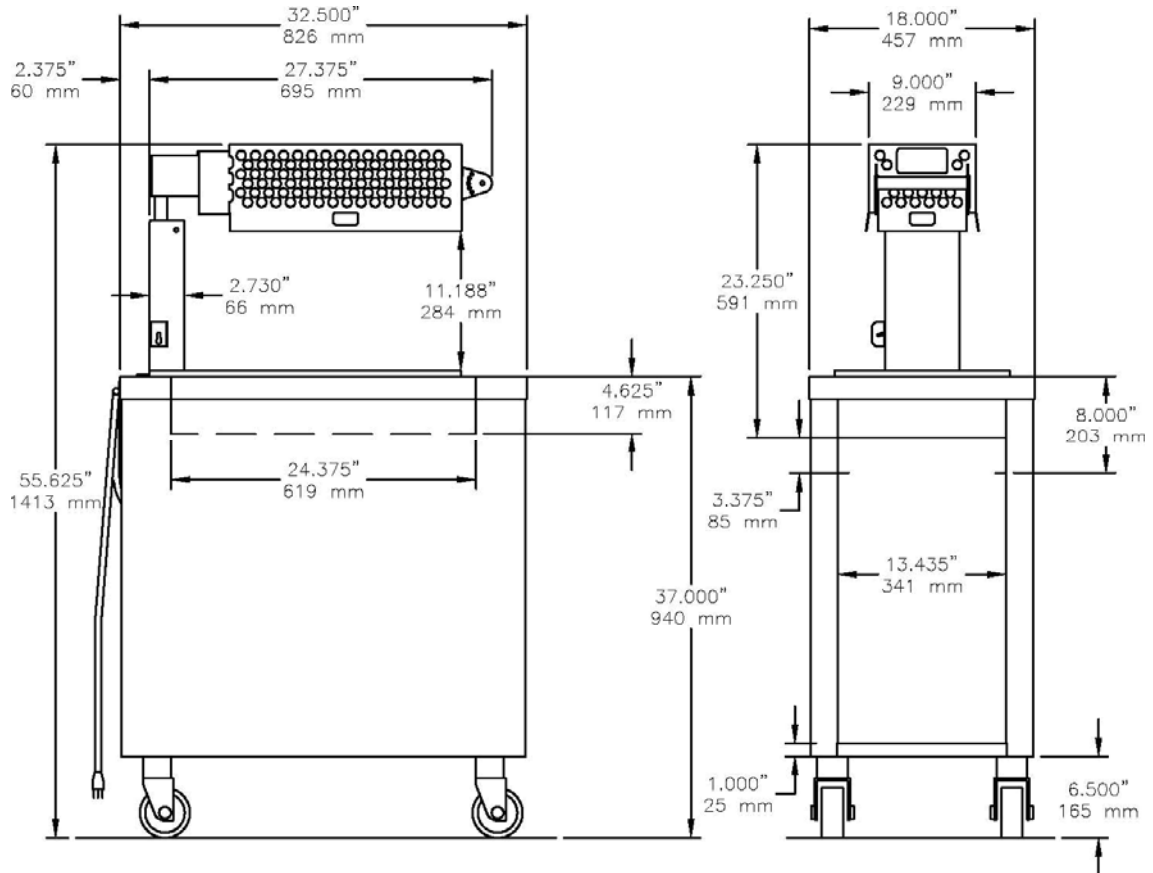
Marshall's commitment to quality and product improvement may change specifications from time to time.

Rev. 10-21-2011



ThermoGlo™

Models CZ3 & CZ3A Multi-Product Holding Unit



Overall Dimensions Models CZ3 & CZ3A

— CZ3A Unit Shown —					
Dimensions:	Height:	Width:	Depth:		
CZ3	23.250" (591mm)	15.500" (394mm)	28.438" (722mm)		
CZ3A	55.625" (1413mm)	18.000" (457mm)	32.500" (826mm)		
Shipping Information:	Weight:	Ship W:	NMFC 6220 Freight (USA):	Ship. Cubes:	
CZ3	58 lbs (26 kilos)	66 lbs (30 kilos)	Class 85	6.5 cubic ft (19 cubic meters)	
CZ3A	135 lbs (61 kilos)	226 lbs (102 kilos)	Class 85	34.5 cubic ft (1.1 cubic meters)	
Electrical Wiring:	120V/60Hz/1ph 9.1 amps/ 1.092 kw NEMA 5-15 Plug 6 ft. cord				
Gas Supply:	None				
Options:	Stand with Casters (CZ3A)				

Marshall Air Systems, Inc.

419 Peachtree Drive South • Charlotte, North Carolina 28217 USA • Phone: (704) 525-6230 Fax: (704) 525-6229 • www.marshallair.com