



# Autotoast™

## Model HST13 and HST13(S)

### High Speed Vertical Contact Toaster

Item No: \_\_\_\_\_

AIA FILE NO. / SPEC NO.

CONSULTANT / CONTRACTOR APPROVAL



Model HST13

Marshall's high-speed vertical contact toaster is designed specifically for QSR, fast casual restaurants, sandwich shops, cafeterias, snack bars and convenience stores.

#### FEATURES

- Toasts to 160°F in just 10 seconds
- Easy to operate control panel
- Adjustable for different bun thickness
- Variable or single speed
- Heavy-duty, long life mark-free belts
- Removable slip sheets for ease of cleaning
- Uses small electrical circuit (20 amp)

#### CONSTRUCTION

- Heavy gauge stainless steel frame
- Solid weld frame construction
- Large bearings for longer life
- Plug-in motor and solid-state speed control
- Heavy-duty drive system

#### VOLUME

##### Bun Peak Production:

1,400 5" buns per hour

2,500 4" buns per hour

*(Figures for estimating only. Actual production can be calculated with food specifics.)*

*\*Ask about Marshall's ThermoGlo Food Warmers, companion Conveyor Broilers and Ventilation Systems.*

The Marshall **Model HST13** High Speed Vertical Toaster produces 160°F caramelized buns in 10 seconds without chain or bar marks on the crust side. This compact model is so fast it can produce 2500 4" hot buns in one hour with less than 2% moisture loss, perfect for building sandwiches to customer orders. Buns are loaded at the top and released onto a product slide at the bottom. The variable speed drive ranges from 8 to 25 seconds or a single speed is available factory preset. Heat controls are preset or adjustable as required. Adjustable controls for various crown/heel thicknesses and speed are located inside the secure, side panel cabinet thus eliminating unauthorized tampering. The flexibility of this toaster delivers the hottest buns in the shortest time.

All Marshall products are supported by a nationwide service organization and in-house, full-time Customer Support Department. To place an order call:

**1-800-627-8368**

**ETL (US, Canada) & NSF Listed  
FOR COMMERCIAL USE ONLY**

---

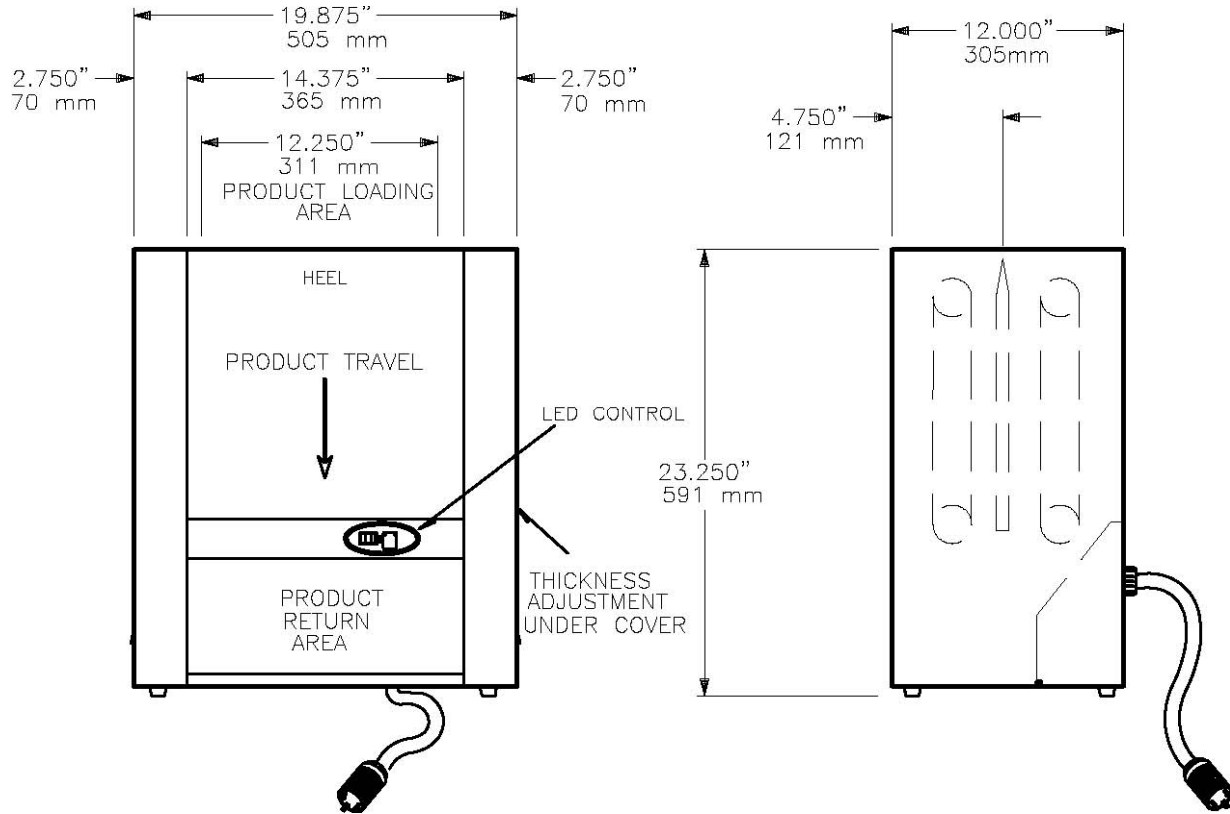
#### Marshall Air Systems, Inc.

419 Peachtree Drive South • Charlotte, North Carolina 28217 USA • Phone: (704) 525-6230 Fax: (704) 525-6229 • www.marshallair.com



# Autotoast™

## Model HST13 and HST13(S) High Speed Vertical Contact Toaster



### Overall Dimensions Model HST13 and HST13(S)

Dimensions:	Height: 23.25" 591mm	Width: 19.875" 505mm	Depth: 12" 305mm	
Shipping Information:	Weight: Net 115 lbs. 54 kilos	Ship Wt: 130 lbs. 61 kilos	Freight (USA): NMFC 26100 Class 100	Ship Cubes: 8 cubic ft. 0.23 cubic meters
Electrical Wiring:	208V/60Hz/1 ph 18.5 amps NEMA L6-20P Plug		240V/60Hz/1 ph 21 amps NEMA L6-30 Plug	240V/50Hz/ 1ph 21 amps L1, N, G (No Plug)
Gas Supply:	None			
Options:	Single Speed HST13(S)			

### Marshall Air Systems, Inc.

419 Peachtree Drive South • Charlotte, North Carolina 28217 USA • Phone: (704) 525-6230 Fax: (704) 525-6229 • www.marshallair.com