



ThermoGlo™

Model RR5 Series Fried Foods Dump Station

Item No: _____

AIA FILE NO. / SPEC NO.

CONSULTANT/ CONTRACTOR APPROVAL



Model RR5C
Shown

Marshall's *custom built* Fried Foods Dump Station incorporates ThermoGlo™ technology and can be used for holding and warming a variety of other food products.

FEATURES

- Even heat eliminates hot & cold spots
- Flat surface allows for easy wipe-clean application
- Food stays “presentation ready” longer because exact internal temperatures can be reached faster and maintained longer
- Optional bagged product holding area available

The Marshall **Model RR5 Series** Fried Foods Dump Station features ThermoGlo™ technology which heats every square inch of the upper flat plate surface. The need to clean intricate calrod, wire and reflector assemblies is eliminated. This unit comes equipped with a slotted bottom pan along with a pullout catch drawer for food preparation. An optional bagged product holding area is also available.

CONSTRUCTION

- Heavy gauge stainless steel
- Designed and built to custom specifications with heat radiating from the ThermoGlo™ surface
- Designed with a flat unbreakable radiating metal face encased in stainless steel housing

All Marshall products are supported by a nationwide service organization and in-house, full-time Customer Support Department. To place an order call:

1-800-627-8368

**ETL (US & Canada) & NSF Listed
FOR COMMERCIAL USE ONLY**

**Ask about Marshall's companion High Speed Toasters, Conveyor Broilers and Ventilation Systems.*

Marshall Air Systems, Inc.

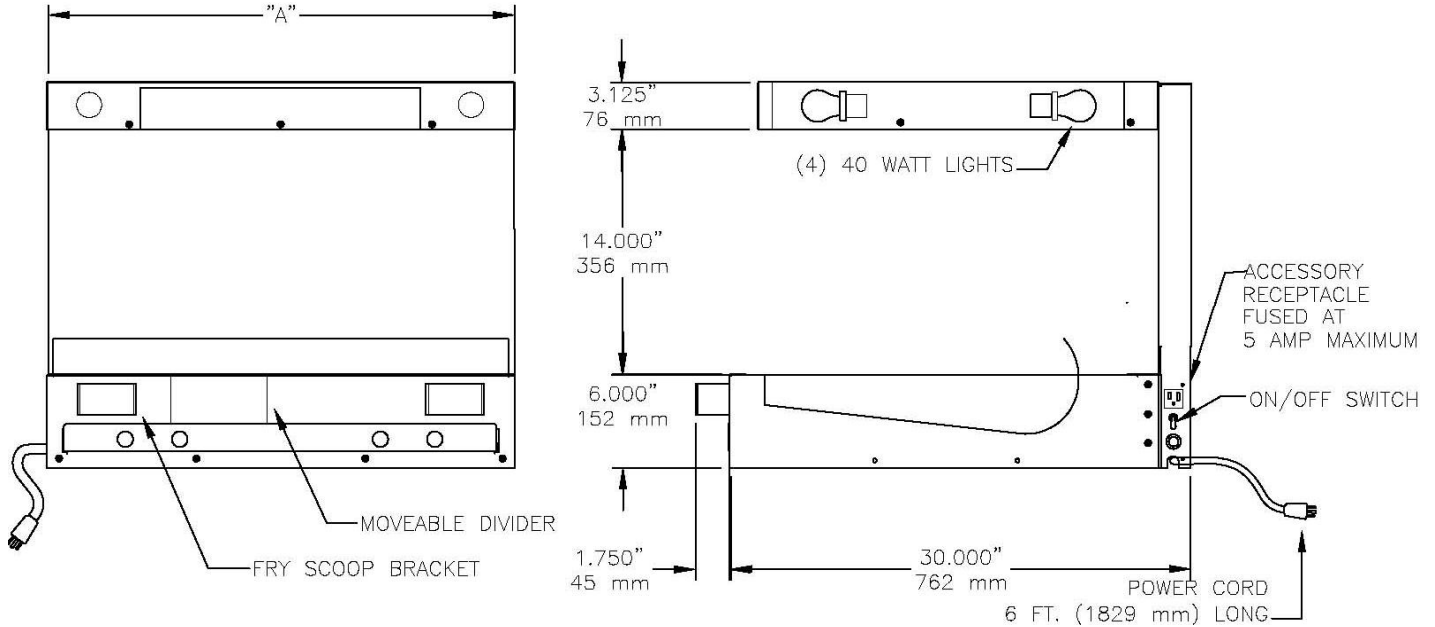
419 Peachtree Drive South • Charlotte, North Carolina 28217 USA • Phone: (704) 525-6230 Fax: (704) 525-6229 • www.marshallair.com



ThermoGlo™

Model RR5 Series

Fried Foods Dump Station



Overall Dimensions Model RR5 Series

Dimensions:	Height:	"A" Width:	Depth:
RR5C	23" (584mm)	18" (451mm)	31.75" (807mm)
RR5E	23" (584mm)	27" (686mm)	31.75" (807mm)
RR5P	24" (610mm)	34" (864mm)	30.375" (772mm)

Shipping Information:	Weight:	Ship Wt:	NMFC Freight (USA)	Ship. Cubes:
RR5C	88 lbs. (40 kilos)	100 lbs. (46 kilos)	Class 100	18 cubic ft (.51 cubic meters)
RR5E	137 lbs. (63 kilos)	150 lbs. (69 kilos)	Class 100	25 cubic ft (.71 cubic meters)
RR5P	210 lbs. (96 kilos)	230 lbs. (106 kilos)	Class 100	31 cubic ft (.88 cubic meters)

Electrical

Wiring:

RR5C	120V/60Hz/1 ph – 9amps, 3 wire no neutral cord, 5-15 plug, 6 ft. long
RR5E	208V/60Hz/1 ph – 10amps, 3 wire no neutral cord, 6-20 plug, 6 ft. long
RR5P	208V/60Hz/1 ph – 12amps, 4 wire w/ neutral cord, 14-20 plug, 6 ft. long

Illumination is provided by (4 - 6) 40W bulbs depending on model.

Gas Supply: None

Options: Bagged Product Holder

Marshall Air Systems, Inc.

419 Peachtree Drive South • Charlotte, North Carolina 28217 USA • Phone: (704) 525-6230 Fax: (704) 525-6229 • www.marshallair.com