



# Autotoast™

Model HT10

## High Speed Horizontal Contact Toaster

Item No: \_\_\_\_\_

AIA FILE NO. / SPEC NO.

CONSULTANT / CONTRACTOR APPROVAL



Model HT10

*Shown with optional  
top heat guard*

Marshall's horizontal contact toaster is designed specifically for QSR, fast casual restaurants, sandwich shops, cafeterias, snack bars and convenience stores using dry or pre-buttered bread products.

### FEATURES

- Toasts to 160° F quickly
- Accommodates dry or buttered buns
- Easy to operate control panel
- Adjustable for different bun thickness
- Variable speed
- Heavy duty, long life conveyor belt
- Removable conveyor for daily cleaning
- Removable slip sheets for ease of cleaning
- Uses small electrical circuit (20 amp)
- Independent platen temperature control

The Marshall **Model HT10** Horizontal Contact Toaster produces 160° F caramelized buns quickly with or without butter. This **compact** model is so fast it can produce 1200 4" hot buns in one hour with minimal moisture loss. Perfect for building sandwiches to customer orders. Buns are loaded in the front, face-up and return to the front. The variable speed drive ranges from 9 to 90 seconds. The speed control is hidden, thus eliminating unauthorized tampering. Heat controls are pre-set but can be adjusted as requested. The toaster has dual adjustments for various crown/heel thicknesses. Conveyor assembly is easily removed for cleaning.

All Marshall products are supported by a nationwide service organization and in-house, full-time Customer Support Department. To place an order call:

**1-800-627-8368**

### CONSTRUCTION

- Heavy gauge stainless steel frame
- Solidly welded frame construction
- Large bearings for longer life
- Plug-in motor and solid-state speed control
- Heavy-duty drive system

### VOLUME

#### Bun Peak Production:

780 5" buns per hour

1200 4" buns per hour

*(Figures for estimating only. Actual production can be calculated with food specifics.)*

**ETL (US, Canada) & NSF Listed  
FOR COMMERCIAL USE ONLY**

*\*Ask about Marshall's ThermoGlo Food Warmers,  
companion Conveyor Broilers and Ventilation Systems.*

---

### Marshall Air Systems, Inc.

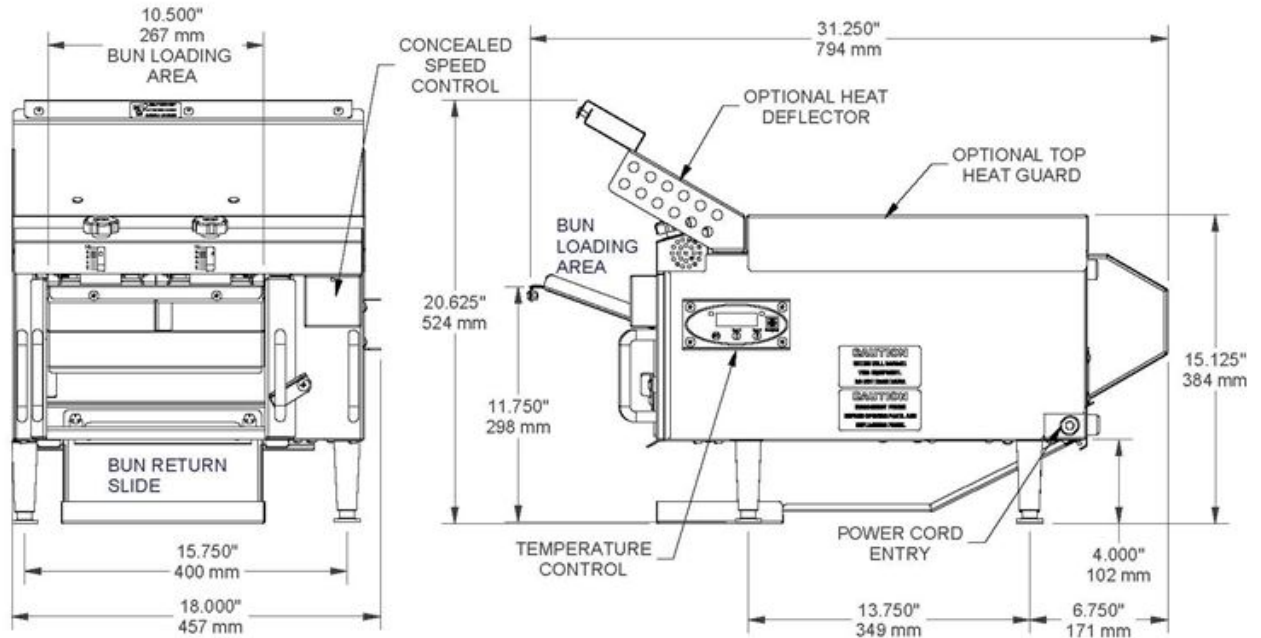
419 Peachtree Drive South • Charlotte, North Carolina 28217 USA • Phone: (704) 525-6230 Fax: (704) 525-6229 • www.marshallair.com



# Autotoast™

Model HT10

High Speed Horizontal Contact Toaster



## Overall Dimensions Model HT10

Dimensions:	Height:	Width:	Depth:
Standard	15.125" (384mm)	18.00" (457mm)	31.250" (794mm)
With optional deflector	20.625" (524mm)		

Shipping Information for both versions	Weight: Net 89 lbs. 40 kilos	Ship Wt: 150 lbs. 68 kilos	NMFC #63360 Freight (USA) Class 100	Ship. Cubes: 15 cubic ft. 0.43 cubic meters
--	------------------------------------	----------------------------------	---	---

Electrical for both versions:	120V/60Hz/1 ph 16 amps/ 3.328 kw NEMA 5-20 Plug
-------------------------------	---

Gas Supply:	None
-------------	------

Options:	Other electrical configurations Butterwheel Heat deflector Top heat guard
----------	--

### Marshall Air Systems, Inc.

419 Peachtree Drive South • Charlotte, North Carolina 28217 USA • Phone: (704) 525-6230 Fax: (704) 525-6229 • www.marshallair.com