



Autobroil™

Model FR15BG & FR69BG

Front Return Gas Countertop Broilers

Item No: _____

AIA FILE NO. / SPEC NO.

CONSULTANT/ CONTRACTOR APPROVAL



Model FR69BG

The **FR15BG** is designed for high hamburger production. Hamburgers cook directly on the heavy-duty conveyor rods for even cooking and the highly desirable grilling bar marks.

The **FR69BG** can accommodate different menu items that require different cook times. Different weight hamburgers or chicken filets cook directly on two individually controlled conveyors.

The **FR15BG** has one 15" belt and is designed for single menu items. The **FR69BG** has two belts, one 6" and one 9", and is designed to cook different size hamburgers or other meat filet items.

All Marshall products are supported by a nationwide service organization and an in-house, full service Customer Support Department. To place an order call:

1-800-627-8368

**ETL (US, Canada) & NSF Listed
FOR COMMERCIAL USE ONLY**

High production gas broilers for hamburgers of different sizes and other compatible food items such as chicken and meat filets. Direct on-conveyor broiler produces appealing bar marks and enhances flavor.

FEATURES

- An integrated touch screen control features 12 programmable menu item cook times per belt
- Control features broiled self-diagnostics
- Optional on-board food probe
- Front return cooking arrangement - Fully automatic
- Electronic ignition (gas) – Simply use the on/off switch
- Individual plug-in motors and speed control selectors for each broiler belt
- Convenient functional patty/bun assembly area with ThermoGlo™ technology
- Less removable parts allow fast and easy clean up
- Energy- saving pilot shut-off system (gas)
- Heater holding area with digital control

CONSTRUCTION

- Heavy gauge stainless steel solid weld frame construction
- 3/16" diameter, heavy-duty stainless steel conveyor rods
- Stainless steel internal gas lines (gas models)
- Simple conveyor tension adjustment
- Easy to operate computer control panel
- Heavy duty industrial grade heating elements or gas burners

VOLUME

Hamburger Peak Production:

Frozen	2 oz. patties	440/hr.
	4 oz. patties	240/hr.
Fresh	2 oz. patties	550/hr.
	4 oz. patties	300/hr.

(Figures for estimating only. Actual production varies with fat content, surface texture and meat starting temperature.)

**Ask about Marshall's ThermoGlo™ Food Warmers, companion High Speed Toasters, and Ventilation Systems*

Marshall Air Systems, Inc.

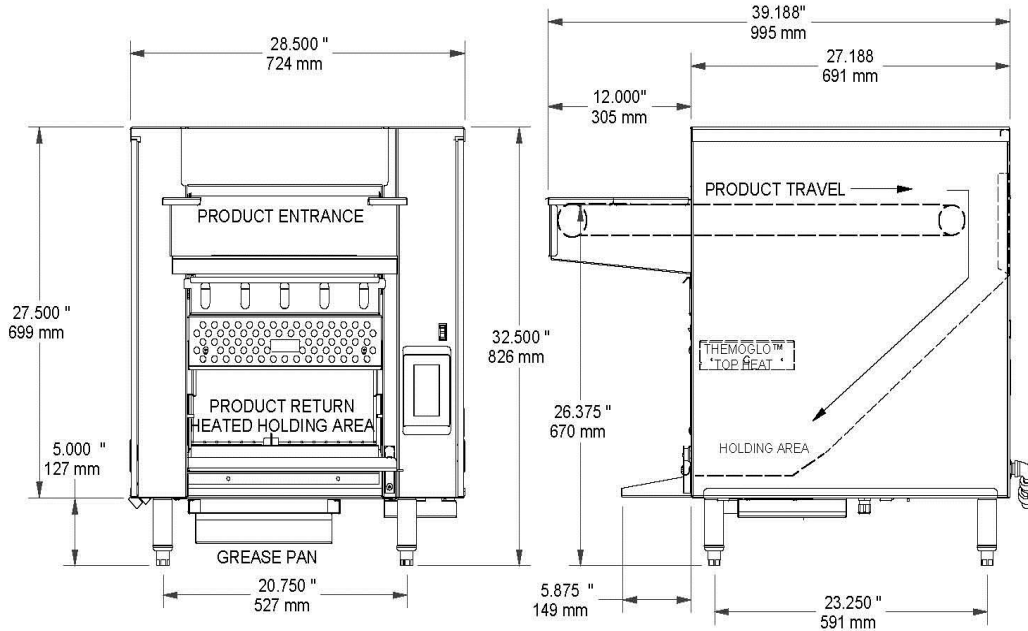
419 Peachtree Drive South • Charlotte, North Carolina 28217 USA • Phone: (704) 525-6230 Fax: (704) 525-6229 • www.marshallair.com



Autobroil™

Model FR15BG & FR69BG

Front Return Gas Countertop Broilers



Overall Dimensions FR15BG & FR69BG

Dimensions:	Height: 32.5" 826 mm	Width: 28.5" 724 mm	Depth: 39.188" 995 mm	
Shipping Information:	Weight: Net 270 lbs. 123 kilos	Ship Wt: 315 lbs. 143 kilos	NMFC (Freight USA): Class 85	Ship Cubes: 35.3 cubic ft. 1.0 cubic meters
Electrical: Wiring:	120V/60HZ/1ph 7 amps/ 0.84 kw Plug-in, Standard wall receptacle, 120V		or	240V/50HZ/1 ph 4 amps/ 0.96 kw 240V without plug (L1, N, G)
Gas Supply:	Liquid propane 67,000 BTUH	or	Natural gas 67,000 BTUH	
Options:	Companion Ventilation System Heavy duty stainless steel stand with casters Complete spare parts supply kit 36" or 72" flexible gas line with quick disconnect and restraining device			

Marshall Air Systems, Inc.

419 Peachtree Drive South • Charlotte, North Carolina 28217 USA • Phone: (704) 525-6230 Fax: (704) 525-6229 • www.marshallair.com