



Autotoast™

Model HST13-CTG

Conveyor Tortilla Toaster

Item No: _____

AIA FILE NO. / SPEC NO.

CONSULTANT/ CONTRACTOR APPROVAL



Model HST13-CTG

The Marshall **Model HST13-CTG** Conveyor Tortilla Toaster produces 170°F tortillas in 13 seconds without chain or bar marks. The toaster has two chambers so that two tortillas can be thermalized at one time. This means production is more than double that of a clam shell type grill. Tortillas are loaded at the top and delivered to a product slide at the bottom. The variable speed drive ranges from 13 to 60 seconds. Heat controls are preset but can be adjusted as required. Both sides of the tortilla are heated at the same time. Adjustable controls for various tortilla thicknesses and speeds are located inside the secure, side panel cabinet thus eliminating unauthorized tampering. The flexibility of this toaster delivers consistently hot tortillas in the shortest time.

All Marshall products are supported by a nationwide service organization and in-house, full-time Customer Support Department. To place an order call:

1-800-627-8368

Marshall's high-speed conveyor tortilla toaster is designed specifically for QSR, fast casual restaurants, sandwich shops, cafeterias, snack bars and convenience stores.

FEATURES

- Both sides of tortilla toasted simultaneously
- Warms to 170°F as fast as 13 seconds
- Easy to operate control panel
- Adjustable for different tortilla thicknesses
- Adjustable speed
- Heavy-duty, long life mark-free belts
- Removable slip sheets for ease of cleaning
- Uses small electrical circuit (20 amp)

CONSTRUCTION

- Heavy gauge stainless steel frame
- Solidly welded frame construction
- Large bearings for longer life
- Plug-in motor and solid-state speed control
- Heavy-duty drive system

VOLUME

Tortilla Peak Production:

500 13" tortillas per hour
2,200 5.5" tortillas per hour

(Figures for estimating only. Actual production can be calculated with food specifics.)

**ETL (US, Canada) & NSF Listed
FOR COMMERCIAL USE ONLY**

**Ask about Marshall's ThermoGlo™ Food Warmers, companion Conveyor Broilers and Ventilation Systems.*

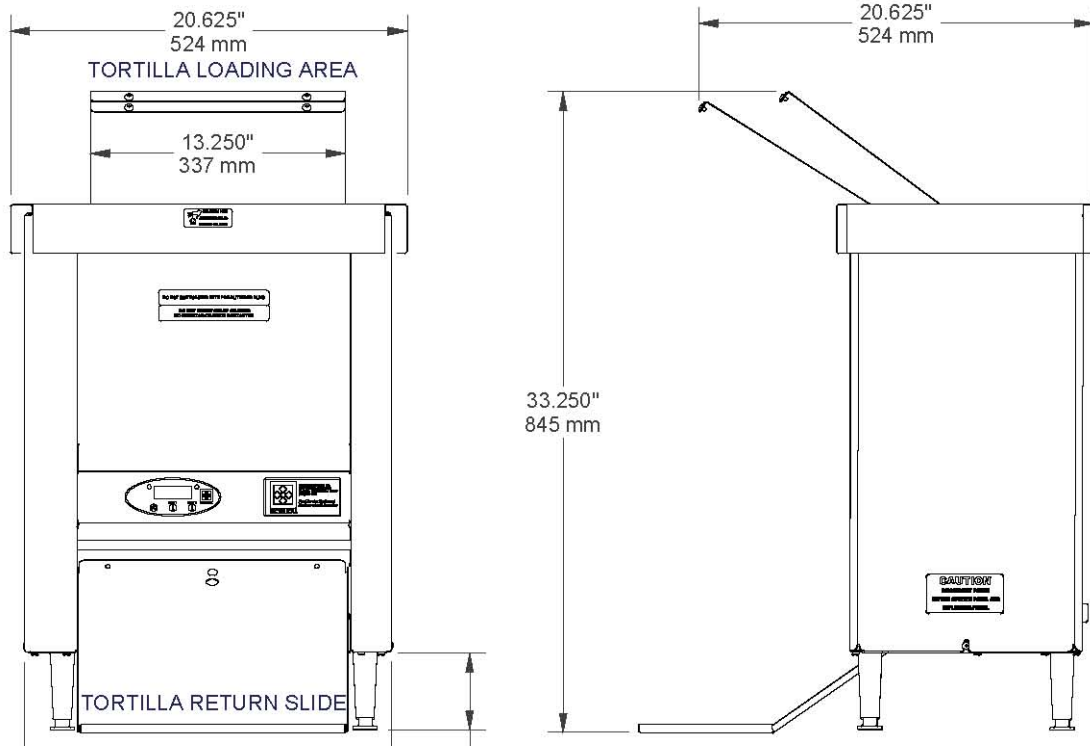
Marshall Air Systems, Inc.

419 Peachtree Drive South • Charlotte, North Carolina 28217 USA • Phone: (704) 525-6230 Fax: (704) 525-6229 • www.marshallair.com



Autotoast™

Model HST13-CTG Conveyor Tortilla Toaster



Overall Dimensions Model HST13-CTG

Dimensions:	Height: 33.250" 845mm	Width: 20.625" 524mm	Depth: 20.625" 524mm	
Shipping Information:	Weight: Net 115 lbs. 54 kilos	Ship Wt: 130 lbs. 61 kilos	Freight (USA): NMFC 26100 Class 100	Ship Cubes: 8 cubic ft. 0.23 cubic meters
Electrical Wiring:	208V/60Hz/1 ph 18 amps/ 3.7 kw NEMA L6-20P Plug		240V/60Hz/1 ph 20.5 amps/ 5 kw NEMA L6-30 Plug	240V/50Hz/ 1ph 20.5 amps/ 5 kw L1, N, G (No Plug)
Gas Supply:	None			
Options:	None			

Marshall Air Systems, Inc.

419 Peachtree Drive South • Charlotte, North Carolina 28217 USA • Phone: (704) 525-6230 Fax: (704) 525-6229 •
www.marshallair.com