



# ThermoGlo™

## Model MM1 Series Heat Station

Item No: \_\_\_\_\_

AIA FILE NO./ SPEC NO.

CONSULTANT/ CONTRACTOR APPROVAL



Model MM1

The Marshall **Model MM1 Series** features our ThermoGlo™ heating technology. Heat radiates from every square inch of the upper flat plate surface. This eliminates the need to clean intricate Calrod, wire and reflector assemblies. An accessory 120 V receptacle at the back is ideal for powering a timer. This receptacle is furnished only on **Model MM1**. **Model MM1E** is the high- intensity heat version.

In addition to french fries, this holding unit can be used for a variety of other fried foods such as wings, chicken, hush puppies, onion rings and more.

All Marshall products are supported by a nationwide service organization and in-house, full-time Customer Support Department. To place an order call:

**1-800-627-8368**

**Marshall's french fry holding unit features ThermoGlo™ technology. This unit can also be used for holding and warming a wide variety of foods.**

### FEATURES

- Even heat eliminates hot and cold spots
- Holds full size 12" x 20" steam table pan (not included)
- Flat surface allows for easy wipe-clean maintenance
- Food stays "presentation ready" longer because exact internal temperatures can be reached faster and maintained longer

### CONSTRUCTION

- Heavy gauge stainless steel
- Designed and built to custom specifications with heat radiating from the ThermoGlo™ surface
- Designed with a flat unbreakable radiating metal face encased in stainless steel housing

**ETL (US & Canada) & NSF Listed  
FOR COMMERCIAL USE ONLY**

*\*Ask about Marshall's companion High Speed Toasters, Conveyor Broilers and Ventilation Systems.*

---

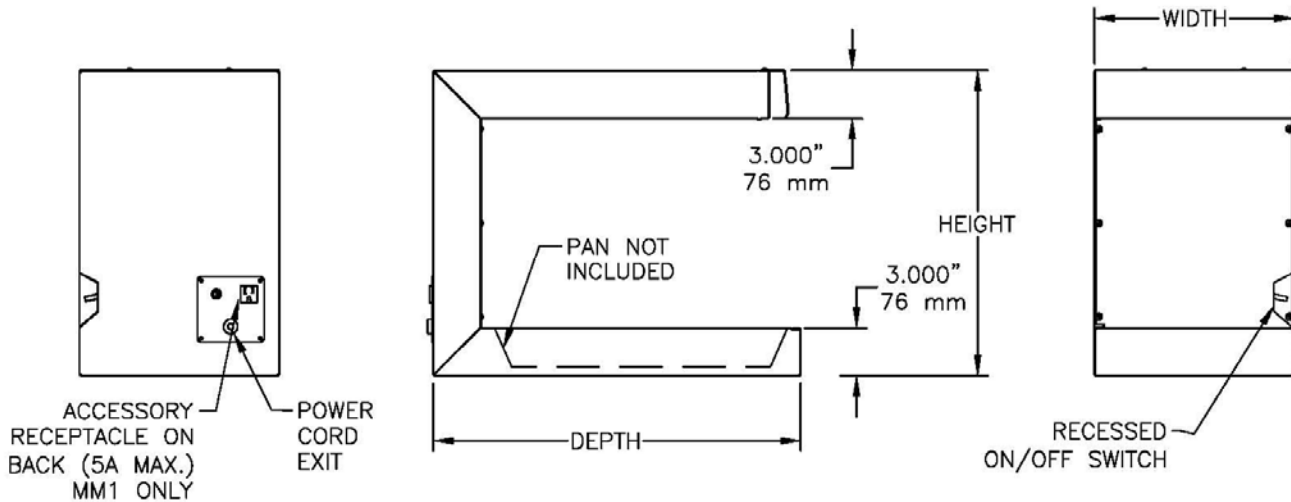
### Marshall Air Systems, Inc.

419 Peachtree Drive South • Charlotte, North Carolina 28217 USA • Phone: (704) 525-6230 Fax: (704) 525-6229 • www.marshallair.com



# ThermoGlo™

## Model MM1 Series Heat Station



### Overall Dimensions Model MM1 Series

Dimensions:	Height:	Width:	Depth:	
MM1	19.875" (504 mm)	13.000" (330 mm)	24.125" (613 mm)	
MM1E	20.563" (522 mm)	13.875" (352 mm)	24.125" (613 mm)	
Shipping Information:	Weight: Net 22 lbs. (10 kilos)	Ship Wt: 28 lbs. (13 kilos)	Freight (USA): NMFC Class 100	Ship. Cubes: 5 cubic ft. .14 cubic meters
Electrical	MM1	120V/ 50/60 Hz/ 7 amps/ 0.84 kw and 5 amps/ 0.6 kw on accessory receptacle	or	220-240V/50Hz/1 ph 4 amps (Intl)/ 0.88-0.96 kw
	MM1E	120V/ 50/60 Hz/ 8.3 amps/ 0.996 kw		
Gas Supply:	None			
Options:	None			

#### Marshall Air Systems, Inc.

419 Peachtree Drive South • Charlotte, North Carolina 28217 USA • Phone: (704) 525-6230 Fax: (704) 525-6229 • www.marshallair.com