



ThermoGlo™

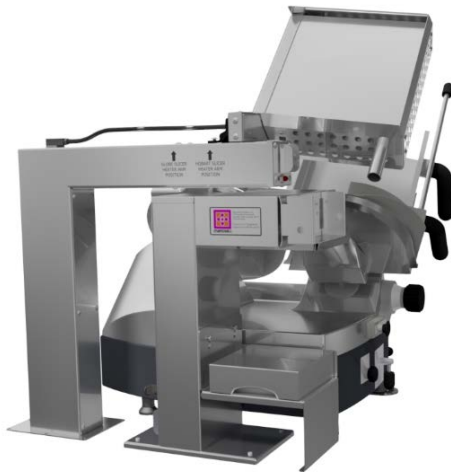
Model BW4B-3 / DL2

Slicer and Scale Warmer

Item No: _____

AIA FILE NO./ SPEC NO.

CONSULTANT/ CONTRACTOR APPROVAL



Model BW4B-3 / DL2
(Slicer not included)

The Marshall **Model BW4B-3** Slicer Warmer and **DL2** Scale Warmer features patented ThermoGlo™ heating technology. Heat radiates from every square inch of the upper and lower flat plate surfaces, maintaining uniform holding temperature and improved moisture retention for up to 45 minutes. The upper heat plate centers over the meat while the lower plate of the Scale Warmer provides heat to the sliced meat as it falls onto the slicer landing area and scale.

Marshall's ThermoGlo™ technology replaces heat lamps and lamp sockets with a robust, unbreakable design that is easy to clean. The **Warmers** are designed to be counter-top mounted. The top heater arm is adjustable to accommodate selected models of either a Globe or Hobart slicer. The top section raises with a light touch of the handle allowing easy access to the slicer for adding and removing product and cleaning.

All Marshall products are supported by a nationwide service organization and in-house, full-time Customer Support Department. To place an order, call your approved Kitchen Equipment Supplier.

Marshall's Slicer and Scale Warmer feature patented ThermoGlo™ technology designed to solve demanding food warming and holding requirements.

FEATURES

- Upper and lower heat provides consistent product temperatures
- Flat heater surface allows for easy wipe-clean maintenance
- Top portion is hinged to allow for easier access
- Food stays "presentation ready" longer because exact internal temperatures can be reached faster and maintained longer
- Slicer Warmer and Scale Warmer are designed to mount on a countertop
- No glass bulbs or ceramic heaters

CONSTRUCTION

- Heavy gauge stainless steel
- Designed with a flat unbreakable heat radiating metal face encased in stainless steel housing

**ETL (US, Canada), NSF & CE Listed
FOR COMMERCIAL USE ONLY**

**Ask about Marshall's companion High Speed Toasters, Conveyor Broilers and Ventilation Systems.*

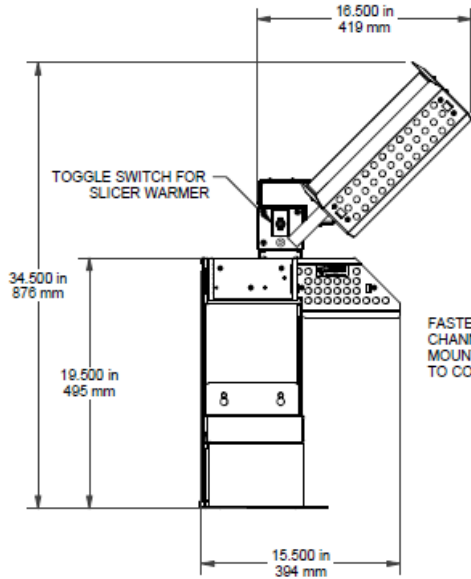
Marshall Air Systems, Inc.

419 Peachtree Drive South • Charlotte, North Carolina 28217 USA • Phone: (704) 525-6230 Fax: (704) 525-6229 • www.marshallair.com

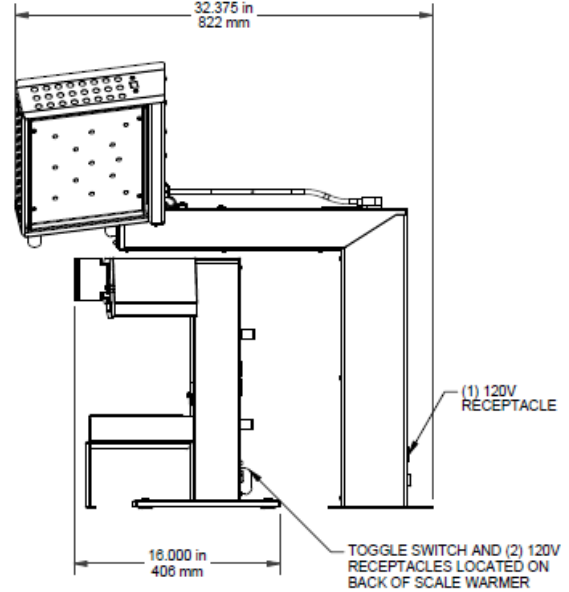


ThermoGlo™

Model BW4B-3 / DL2 Slicer Warmer and Scale



FASTENERS AND (2) STIFFENER CHANNELS INCLUDED FOR MOUNTING SLICER WARMER TO COUNTER



BW4B-3 / DL2 shown without slicer

Overall Dimensions Model BW4B-3 / DL2

Dimensions:	Height:	Width:	Depth:
BW4B-3	34.500" (876mm)	16.500" (419mm)	32.375" (822mm)
DL2	19.500 (495mm)	15.500" (394mm)	16.000" (406mm)

Shipping Information:	Weight:	Ship Wt:	Ship Cubes:
BW4B-3	30 lbs. (13.6 kilos)	45 lbs. (20.4 kilos)	10.6 cubic ft. (0.3 cubic meters)
DL2	25 lbs (11.3 kilos)	35 lbs. (15.9 kilos)	2.8 cubic ft. (.08 cubic meters)

Freight (USA): NMFC 26100 Class 125

Electrical Wiring:

BW4B-3	120V/60Hz/1ph 9.2 amps/1.1 kw NEMA 5-15 Plug 8 ft. cord	240V/50-60Hz/1ph 6 amps/1.5 kw Cord only provided 8 ft. cord
DL2	120V/60Hz/1ph 4.3 amps/.5kw NEMA 5-15 Plug 8 ft. cord	Combined:120V/60Hz/1Ph 12.2 amps/1.5 kw NEMA 5-15 Plug 8 ft. cord (both scale and warmer)

Options: Configuration available to accommodate selected models of Globe or Hobart slicers. Please specify.

Marshall Air Systems, Inc.

419 Peachtree Drive South • Charlotte, North Carolina 28217 USA • Phone: (704) 525-6230 Fax: (704) 525-6229 • www.marshallair.com